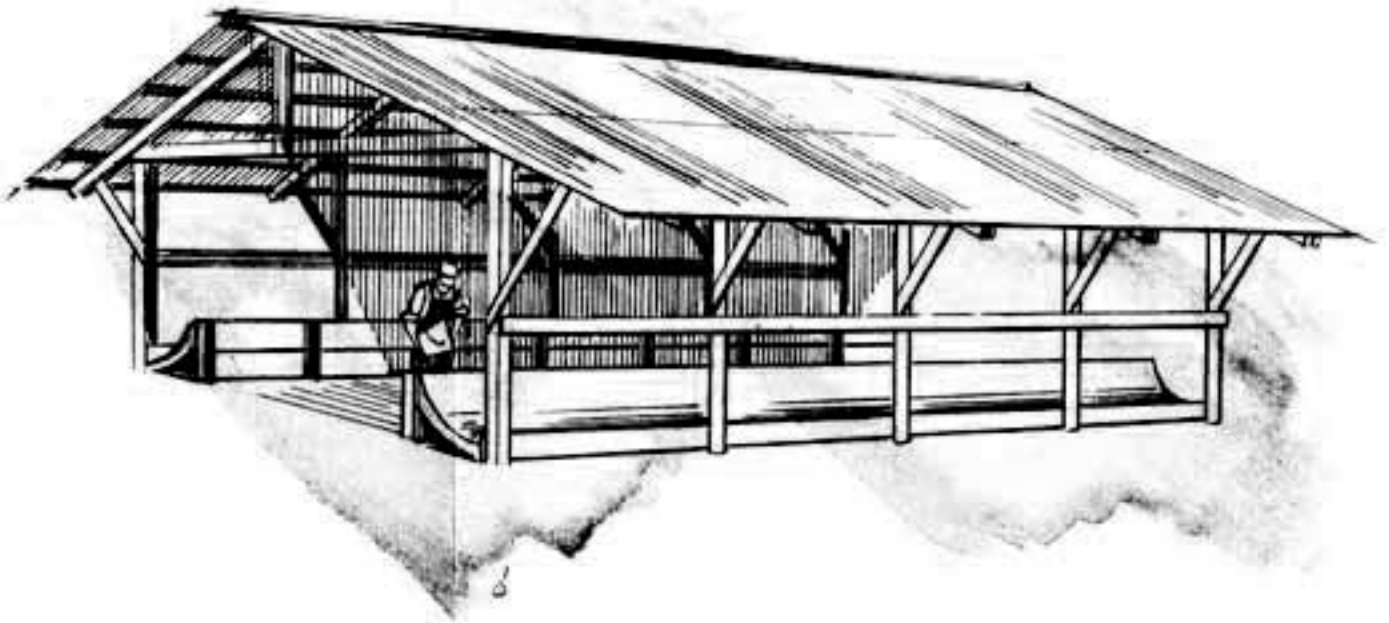


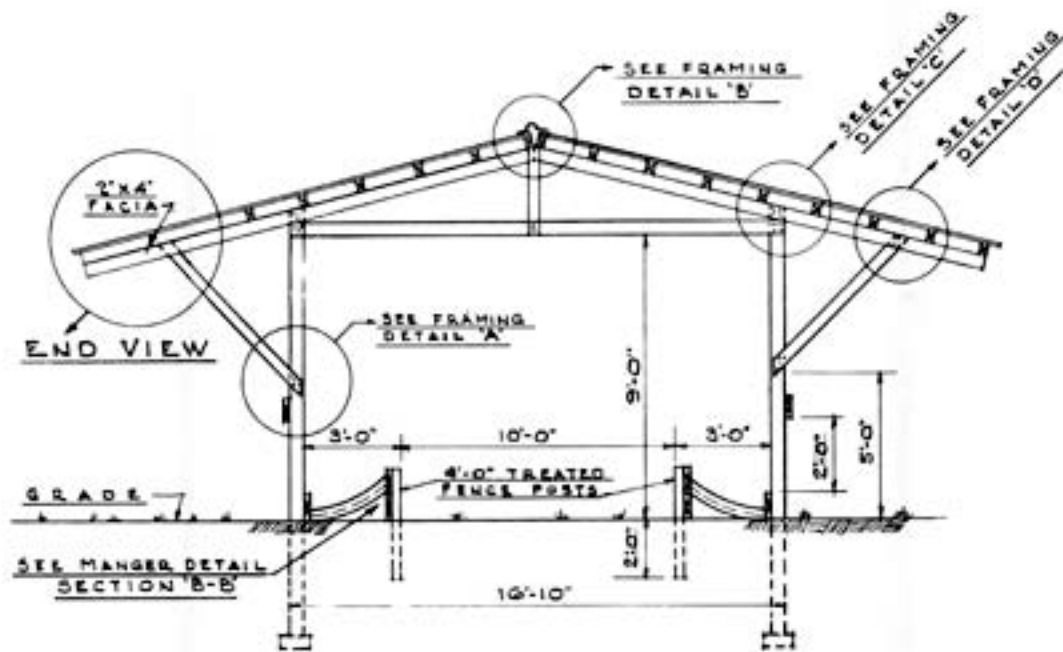
COBB Lumber

PRESSURE TREATED:

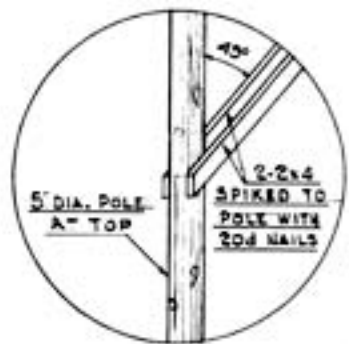
- FENCE POSTS
- BARN POLES
- CORRAL LUMBER
- FRAMING LUMBER



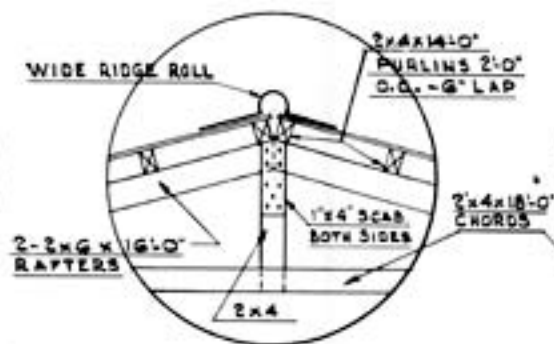
Feeding Shed



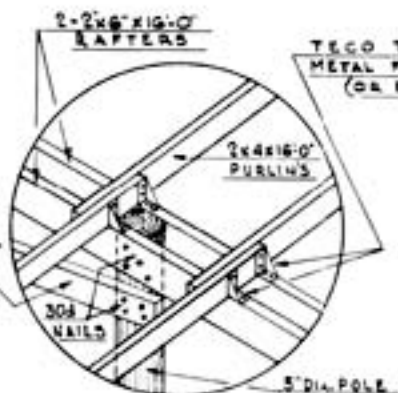
SECTION 'A-A'
SCALE 1/4" = 1'-0"



FRAMING DETAIL 'A'
NO SCALE

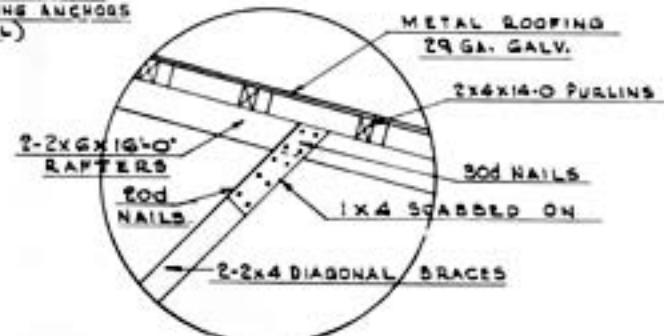


FRAMING DETAIL 'B'
NO SCALE

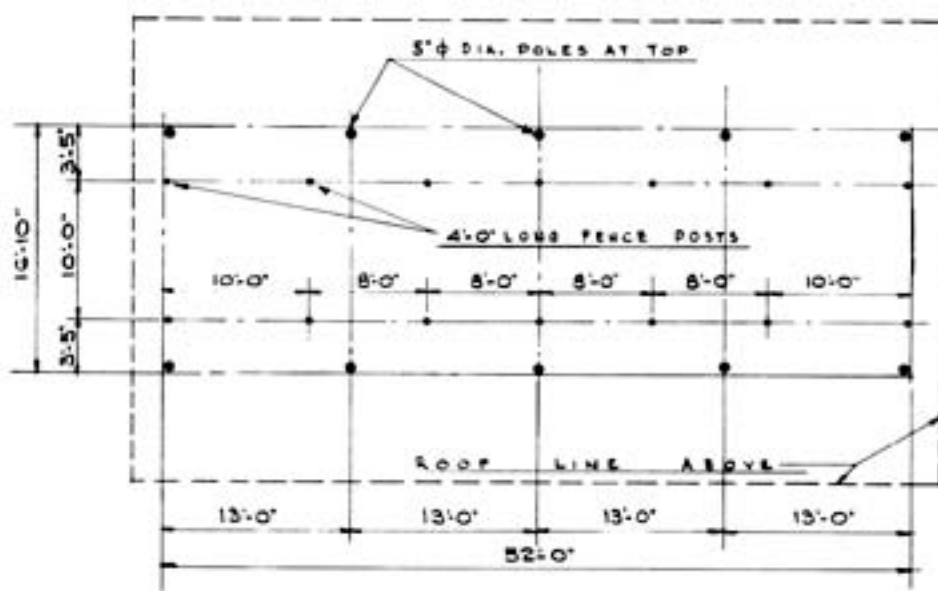


FRAMING DETAIL 'C'
NO SCALE

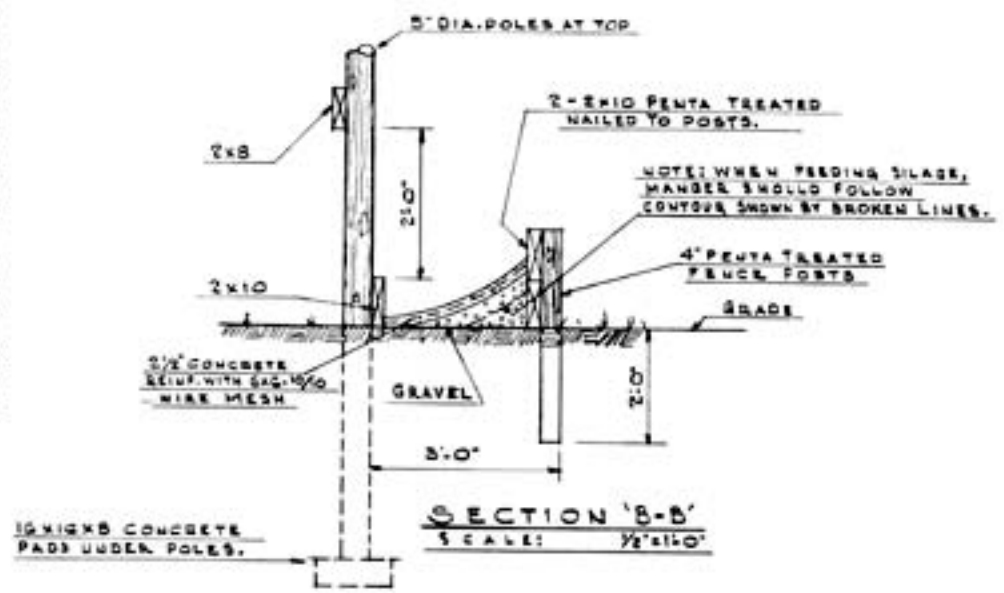
TEGO TRIPLE GRIP METAL FRAMING ANCHORS (OR EQUAL)



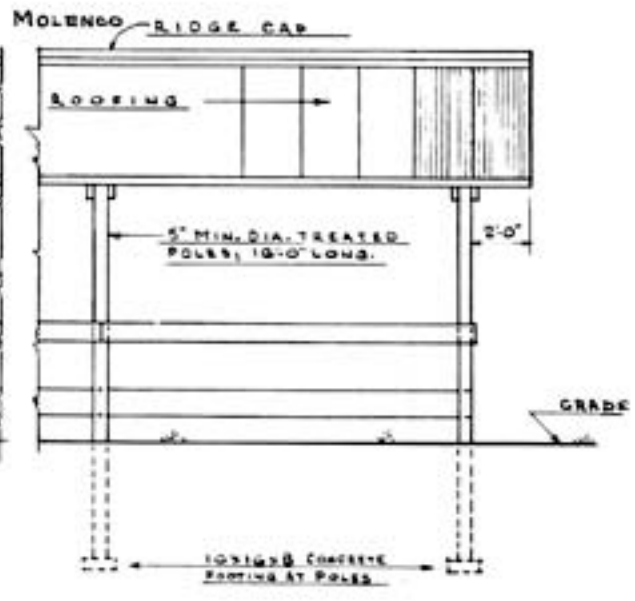
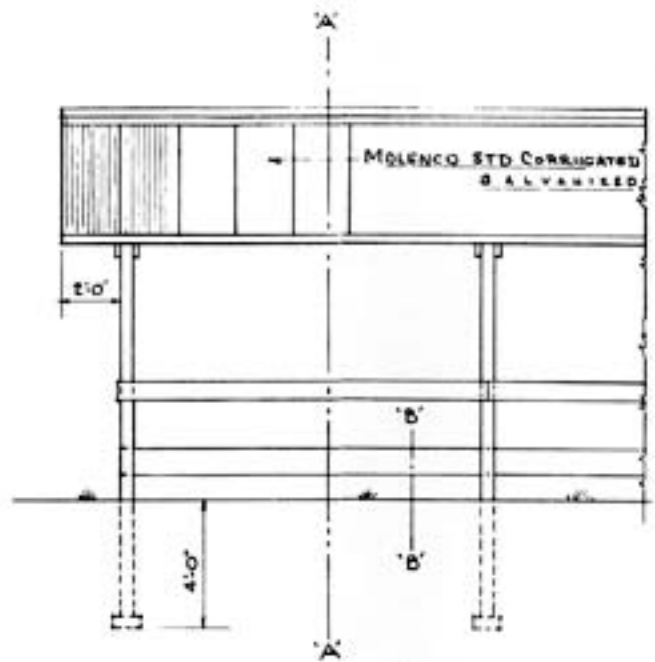
FRAMING DETAIL 'D'
NO SCALE



PLAN OF POLES
 SCALE: $\frac{1}{8"} = 1'-0"$



SECTION 'B-B'
 SCALE: $\frac{1}{2"} = 1'-0"$



ELEVATION
 SCALE: $\frac{1}{4"} = 1'-0"$